

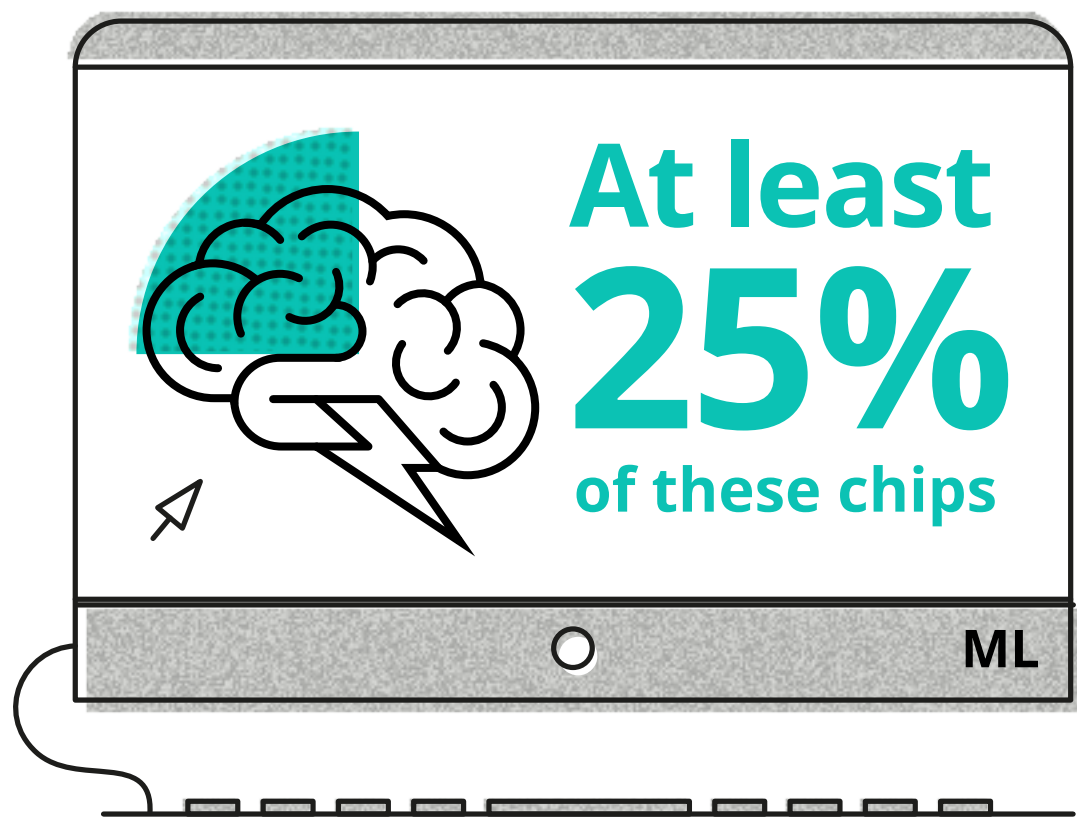
# Hitting the accelerator: the next generation of machine-learning chips

Deloitte Global predicts that

Annual sales of **Machine Learning**  
chips in global data centers

**2016: 100k-200k**

**2018: 800k**



**EASIER, CHEAPER & FASTER**

These chips will  
**increase the use of ML**

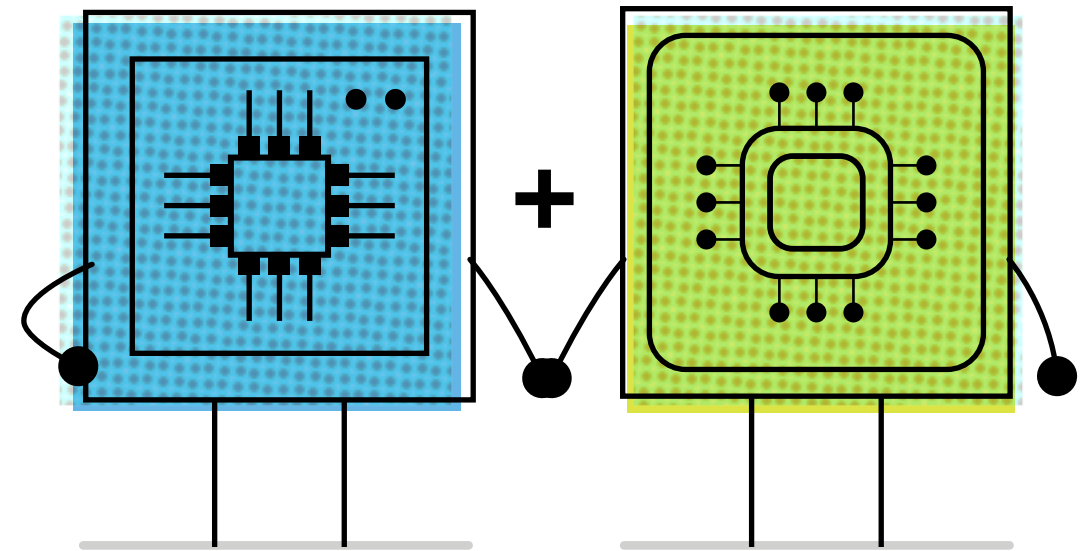
**FPGAs**

Field Programmable  
Gate Arrays

**ASICs**

Application Specific  
Integrated Circuits

=



**Deloitte.**

**#DeloittePredicts**

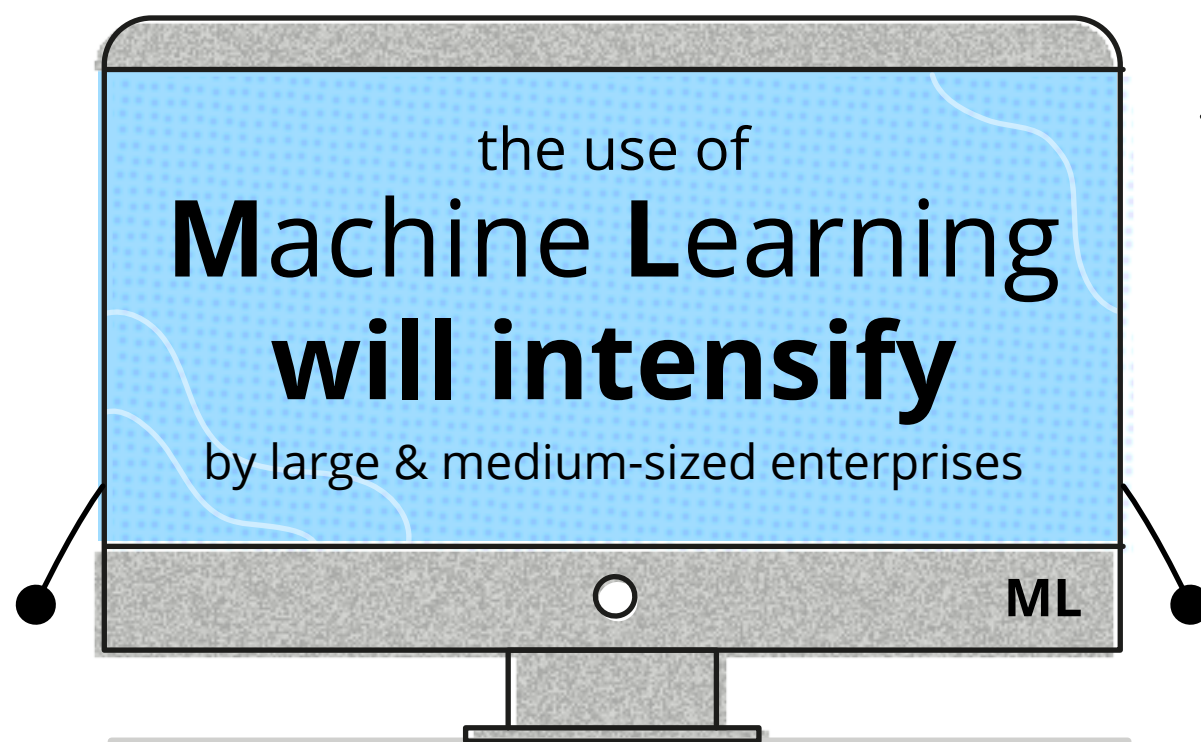
[www.deloitte.com/predictions](http://www.deloitte.com/predictions)

Deloitte refers to one or more of Deloitte Touche Tohmatsu Limited, a UK private company limited by guarantee ("DTTL"), its network of member firms, and their related entities. DTTL and each of its member firms are legally separate and independent entities. DTTL (also referred to as "Deloitte Global") does not provide services to clients. Please see [www.deloitte.com/about](http://www.deloitte.com/about) to learn more about our global network of member firms. This communication contains general information only, and none of Deloitte Touche Tohmatsu Limited, its member firms, or their related entities (collectively the "Deloitte Network") is, by means of this communication, rendering professional advice or services. Before making any decision or taking any action that may affect your finances or your business, you should consult a qualified professional adviser. No entity in the Deloitte Network shall be responsible for any loss whatsoever sustained by any person who relies on this communication.

© 2017. For information, contact Deloitte Touche Tohmatsu Limited.

# Machine learning: things are getting intense

Deloitte Global predicts that in 2018



No. of ML pilots & implementations

**2018**  
**DOUBLE**  
that of 2017

**2020**  
**DOUBLE**  
that of 2018

What has held ML back?



Too few practitioners



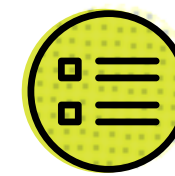
Tools are young & evolving



Gaining data: difficult/costly



Models are inscrutable



Business regulations

**Spending forecasts**  
(billions)  
International Data Corp (IDC)

**2017**  
\$12

**2021**  
\$57.6

**Deloitte.**

**#DeloittePredicts**

[www.deloitte.com/predictions](http://www.deloitte.com/predictions)

Deloitte refers to one or more of Deloitte Touche Tohmatsu Limited, a UK private company limited by guarantee ("DTTL"), its network of member firms, and their related entities. DTTL and each of its member firms are legally separate and independent entities. DTTL (also referred to as "Deloitte Global") does not provide services to clients. Please see [www.deloitte.com/about](http://www.deloitte.com/about) to learn more about our global network of member firms. This communication contains general information only, and none of Deloitte Touche Tohmatsu Limited, its member firms, or their related entities (collectively the "Deloitte Network") is, by means of this communication, rendering professional advice or services. Before making any decision or taking any action that may affect your finances or your business, you should consult a qualified professional adviser. No entity in the Deloitte Network shall be responsible for any loss whatsoever sustained by any person who relies on this communication.

© 2017. For information, contact Deloitte Touche Tohmatsu Limited.